

# TS-1068: What Are The Standard Pinouts For a DB9 and DB25 RS-232 Serial Connection?

Comm One LLC - Technical Support Documentation

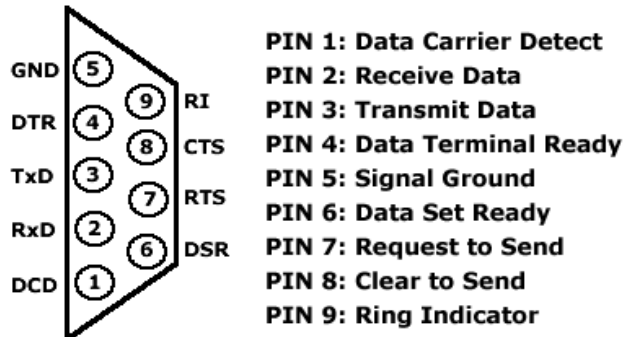
[Support Documentation Index](#)

Friday, April 02, 2010

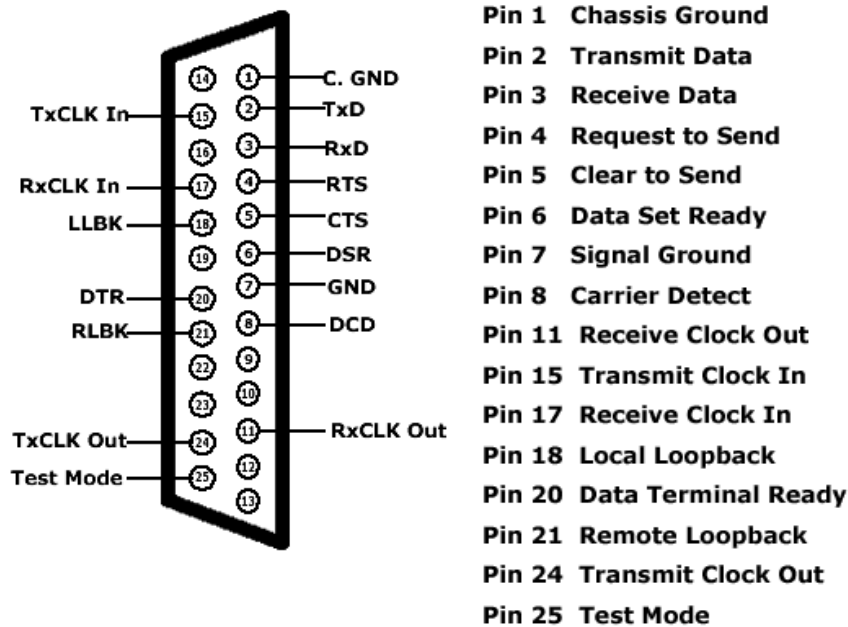
6:57 PM

The Serial Connections for SMDR/CDR are standard RS-232 Serial connections. Here are the pinouts for 9-pin and 25-pin connectors.

## RS-232 DB-9 Male Pinout



## RS-232 Synchronous DB-25 Male Pinout



### See Also:

[TS-1068: What are the standard pinouts for a DB9 and DB25 RS-232 Serial Connection?](#)

**Comm One Technical Support**

12723 Whisper Creek Cove  
Draper, UT 84020  
801-523-9797  
support@commone.com  
Last Reviewed: 08/23/2010  
TS-1068

TS-1068	Date: 03/22/2010 Keywords: RS-232 Pinouts
---------	---